

EMIS - MAIL

Letter Bomb & IED Detector for Mail & Parcel Inspection



According to EU Reg. 185/2010 on mail security inspection



- Automatic inspection of parcels & letters up to 45cm wide and 7.5cm thick
- Detection of detonators, batteries, trigger circuits & other metal components of parcel bombs
- No alarm on metal staples, paper clips and metal binding spirals
- Ergonomic, compact design
- Confirmation of signal (OK/ALARM) for each package inspected
- Operates on mains power supply and with built in NiMH rechargeable batteries
- Integrated battery charger
- No calibration or periodic maintenance required
- Optional embedded detector of radioactive materials

Specifications

GENERAL CHARACTERISTICS

High inspection speed
No alarm on metal staples, paper-clips and metal binding spirals
Digital programming with high-resolution OLED graphic display
Optical and acoustic alarm signaling
Integrated autodiagnosis system
Permanent memory storage of operating parameters without back-up batteries
Independent operation, with mains power supply or Incorporated batteries
Specific Settings available for Prison parcels inspection (Dept. of Justice requirements)
Compliant with NIJ-0602.02 Dept. of Justice Detection requirements

STRUCTURE

Transit opening 450 mm x 75 mm
Degree of protection IP40

WEIGHT 16 kg

POWER SUPPLY Voltage 100-240 V~ single-phase – 50/60 Hz with external AC/DC adapter
Current 1.07 A max
Battery operation 6 x 1.2V NIMH size D Incorporated
Battery life: 12 hours (8 hours with IXC module)
Battery-charger Incorporated: Recharging time 6 hours

PROGRAMMING Type Local: via integrated keypad
Remote: via Bluetooth, RS232
Data Logger Memory capacity 10.000 events

SIGNALLING Acoustic Internal buzzer
Optical High-contrast OLED graphic display with bar-graph indication
LED indicators on the control panel
RED: Alarm, Autodiagnosis
GREEN: OK, Power supply
BLUE: Alarm, detection of radioactive substances

SECURITY/SAFETY Access to programming protected by password
Insulation from mains voltage

COMMUNICATION Incorporated Bluetooth (FCC ID: QOQWT12 - IC:5123A-BGTWT12A) interface, RS232

ENVIRONMENTAL DATA Temperature Operating -10 to +50 °C

CONFORMITY

Storage -25 to +60 °C
Relative humidity 5 to 90 %, without condensation
Safety UL61010-1 Safety requirements for electrical equipment for measurement, control and laboratory use - Part 1: General Requirements

EMC EN61000-6-1:2007 Electromagnetic Compatibility (EMC) – Part 6-1: Generic standards – Immunity for residential, commercial and light-industrial environments

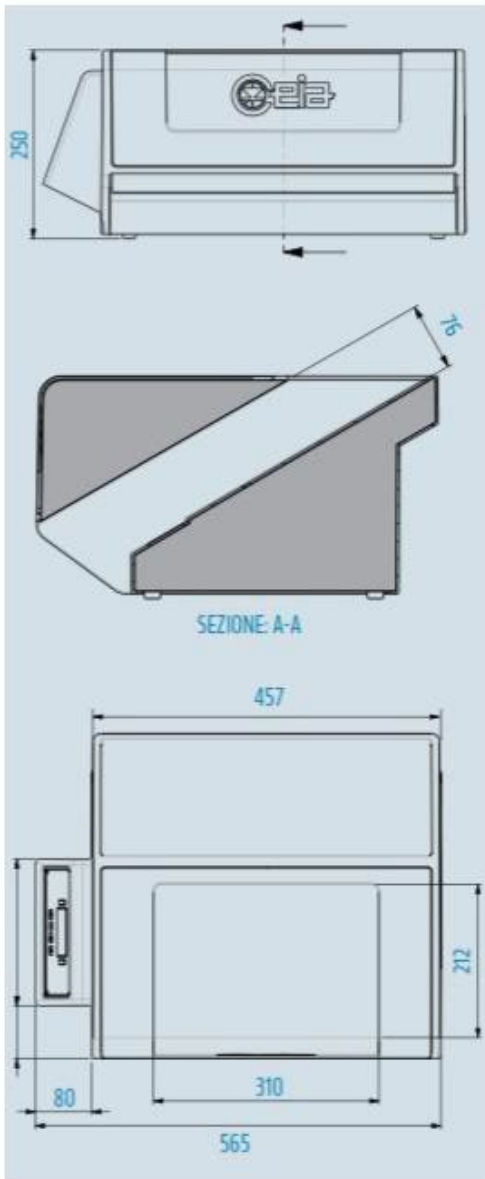
EN61000-6-3:2007 Electromagnetic Compatibility(EMC) – Part 6-4: Generic standards – Emission standard residential, commercial and light-industrial environments

European Directive 2004/108/CE

NATO STOCK NUMBER 6665150105807

Specifications

Dimensions (mm)



Options

GAMMA RADIATION DETECTION (code 67197)

A detector of radioactive sources can be included on demand. The gamma alarm indication includes the activity level (low/medium/high) and the CPS value (counts per second).
Analysis time: 5 seconds.

IXC MODULE (code 66751)

Integrated Web-server
100base-T Ethernet
Full Speed USB interface
Wi-Fi 802.11b/g